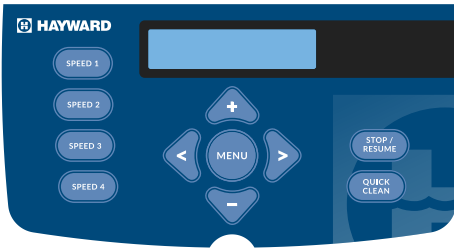


QUICK REFERENCE GUIDE

Hayward Variable Speed Pump

Default Speeds – NOTE: Factory default speeds are adjustable through configuration

1150 rpm
1725 rpm
2300 rpm
2875 rpm



***Max allowed speed for 60 mins, press again up to 6 hrs**

3450 rpm*

Configuration Menu

» Push **MENU** until **Configuration Menu Locked** appears, then hold down **<** & **>** until you see: **Press > to enter**

» Press **>** to advance, **<** to back up

» Press **+** to edit items, flashing items are changed using the **+** or **-**

Timers Menu - Stand Alone

» Push **MENU** until **Timers Menu Press > to enter** appears, then press **>**

Timer1 1725rpm 12:00a to 11:45p 7D use **+** to modify

» Push **+** to change timer name, then press **>** to advance

» Next set Timer speed **Timer1 1725rpm +/- adjust: times>** use **+** / **-** then press **>**

» **Timer1 1725rpm 12:00a to 11:45p** use **+** / **-** to modify start time, then **>** to adjust end

» Push **>** to view schedule days, use **+** / **-** to modify, then **>** to review

» Repeat this process until all desired timers are set

» To save changes, press **MENU** to exit, and then **+** to save

QUICK REFERENCE GUIDE

Connecting Pump to Hayward Automation

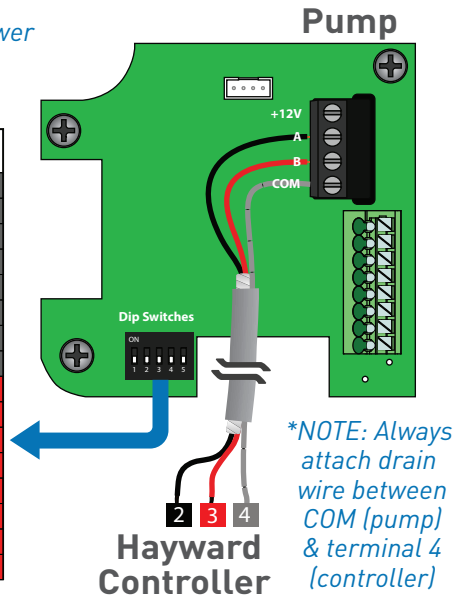
Consult controller manual for compatibility AND to select appropriate pump address

1. Connect with 18 gauge (300V), two conductor, shielded cable
 - » Existing user interface wiring connection (if present) should be unplugged & second terminal block connector should be used to make comm wiring connection
- *2. Set pump DIP switches to match automation system configuration

***NOTE: If connecting pump to an OmniLogic or VS Omni, omit step 2 (shown above); instead, follow 2b-2d (shown below):**

Note: Pump should be wired to line side power

Dip Switches					
PUMP ADDRESS	#1	#2	#3	#4	#5
Pool Filter					
Aux 1 / Spa Filter		ON			
Aux 2			ON		
Aux 3		ON	ON		
Aux 4				ON	
Aux 5		ON		ON	
Aux 6			ON	ON	
Aux 7		ON	ON	ON	
Aux 8					ON
Aux 9		ON			ON
Aux 10			ON		ON
Aux 11		ON	ON		ON
Aux 12				ON	ON
Aux 13		ON		ON	ON
Aux 14			ON	ON	ON
Lights Button		ON	ON	ON	ON



- 2b. Set all pump DIP switches to the down/off position
- 2c. Locate the HUA (Hayward Unique Address)
 - » The HUA is logged on a label residing in pump's wiring compartment, record and go to step 2d
- 2d. When programming the pump through OmniLogic, select the HUA that matches the HUA number found on the pump

www.hayward.com or call 1-844-365-6442

Hayward is a registered trademark of Hayward Industries, Inc. © 2018 Hayward Industries, Inc.

