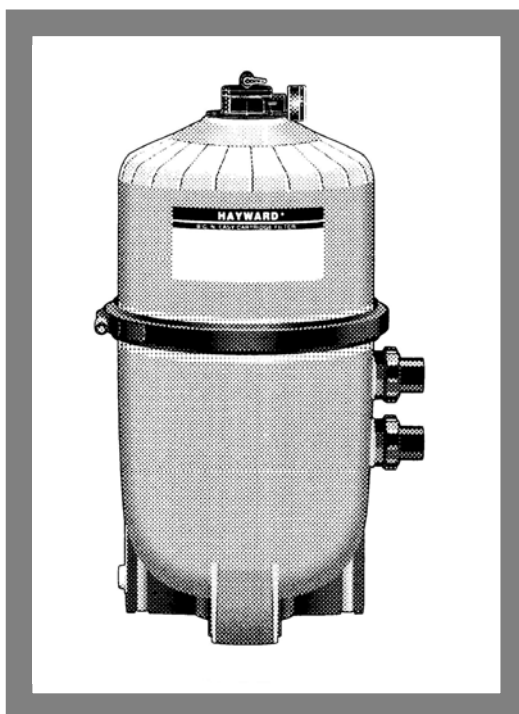




SwimClear™

Owner's Manual




Models C2030 C3030 C4030 C5030 C7030 TOP MANIFOLD CARTRIDGE FILTERS


MODEL	EFFECTIVE FILTRATION RATE		DESIGN FLOW RATE	
	FT ²	M ²	Residential GPM	Commercial LPM
C2030	225	20.9	84	318
C3030	325	30.2	122	462
C4030	425	39.5	150	568
C5030	525	48.8	150	568
C7030	680	63.2	150	568
MAXIMUM WORKING PRESSURE FOR ALL MODELS 50 PSI (3.45 BAR)				


ATTENTION INSTALLER: THIS MANUAL CONTAINS IMPORTANT INFORMATION ON THE OPERATION, AND SAFE USE OF THIS EQUIPMENT.

THIS MANUAL IS INTENDED FOR THE END USER OF THIS PRODUCT

Hayward Pool Products
620 Division Street, Elizabeth, NJ 07207
Phone: (908) 351.5400
www.haywardnet.com

 This is the safety-alert symbol. When you see this symbol on your equipment or in this manual, look for one of the following signal words and be alert to the potential for personal injury or death.

 **WARNING** Warns about hazards that **could** cause serious personal injury or, death, and or major property damage and if ignored presents a potential hazard.


 **CAUTION** Warns about hazards that **will** or **can** cause minor or moderate personal injury and/or property damage and if ignored presents a potential hazard. It can also make consumers aware of actions that are unpredictable and unsafe.

The **NOTICE** label indicates special instructions that are important but not related to hazards.



 **READ, UNDERSTAND, AND FOLLOW ALL SAFETY AND OPERATION INSTRUCTIONS.**

FAILURE TO FOLLOW SAFETY AND OPERATION INSTRUCTIONS CAN RESULT IN SEVERE PERSONAL INJURY OR DEATH.

 **CAUTION** To reduce risk of injury, do not permit children to use or climb on this product. Closely supervise children at all times. The ANSI/NSPI-4 Standard (above-ground and on-ground pools) advises that components such as the filtration system, pumps, and heaters be positioned to prevent their being used as a means of access to the pool by young children.



 **WARNING COMPONENT SEPARATION HAZARD**

Pool and spa water circulation systems operate under hazardous pressure during start up, normal operation, and possibly after pump shut off. Pressure in system can cause explosive component separation of the upper filter body if safety and operation instructions are not followed. Severe personal injury or death can result.

 **This product should be installed and serviced only by a qualified pool professional.**

TO AVOID COMPONENT SEPARATION

- Follow all safety and operation instructions.
- Do not operate water circulation system if a system component is assembled improperly, damaged, missing, or not a genuine Hayward component.
- Before performing maintenance on the water circulation system, verify all system and pump controls are in OFF position and filter manual air relief valve is in the OPEN position.
- Use ONLY Hayward clamp system components: DEX2421JKIT clamp assembly, DEX2421J2 nut/bolt assembly, and a DEX2422Z2 metal reinforced seal. Non-Hayward components may fail in use and cause explosive separation.
- Never rely on hand tightening the clamp nut to the clamp bolt. Using a 3/4" socket on a torque wrench, torque clamp nut and clamp bolt to 150 inch-lbs.
- Before starting system pump, insure filter manual air relief valve body is in LOCK position in filter upper body.
- Before starting the system pump, verify that all system valves are set in a position to allow water from the filter to return back to the pool.
- Before starting the system pump, the manual air relief valve must be in the OPEN position.
- When starting pump, do not stand over or near filter.
- If water leakage appears in the area of the filter tank clamp, immediately turn off all system circulation pumps and electrical power. Do not return to the filter until all water flow has stopped. Reassemble the clamp system per the instructions in this owner's manual to stop the leak.
- Return to filter to close manual air relief valve only when a steady stream of water (Not air or air and water mix) is discharged from the manual air relief valve.
- Do not change filter control valve position while system pump is running.

 **WARNING EXCESS PRESSURE HAZARD**

Pressure testing of the pump and filter system in excess of the 50 PSI can cause explosive separation of the components. Component separation can result in severe personal injury or death.

USE ONLY HAYWARD GENUINE REPLACEMENT PARTS

 **WARNING ELECTROCUTION HAZARD**

High Voltage electricity is present in the pool and spa equipment. High voltage electricity can cause shock and electrocution. Shock and electrocution can result in severe personal injury or death.



- All electrical wiring MUST be in conformance with applicable local codes, regulations and the National Electrical Code (NEC).
- Before performing any service or maintenance on electrical equipment turn off all electrical power.
- Contact a licensed electrician or building inspector for information on local electrical codes for bonding requirements.
- Verify water discharge from the filter manual air relief valve is directed away from electrical devices. Do not locate pump controls over or near filter.

 **WARNING – SUCTION ENTRAPMENT HAZARD.**

Suction in suction outlets and/or suction outlet covers that are, damaged, broken, cracked, missing, or unsecured can cause severe injury and/or death due to the following entrapment hazards:



Hair Entrapment- Hair can become entangled in suction outlet cover.



Limb Entrapment- A limb inserted into an opening of a suction outlet sump or suction outlet cover that is damaged, broken, cracked, missing, or not securely attached can result in a mechanical bind or swelling of the limb.



Body Suction Entrapment- A negative pressure applied to a large portion of the body or limbs can result in an entrapment.



Evisceration/ Disembowelment Entrapment- A negative pressure applied directly to the intestines through an unprotected suction outlet sump or suction outlet cover that is, damaged, broken, cracked, missing, or unsecured can result in evisceration/ disembowelment entrapment.

Mechanical Entrapment- There is potential for jewelry, swimsuit, hair decorations, finger, toe or knuckle to be caught in an opening of a suction outlet cover resulting in mechanical entrapment.

 **TO REDUCE THE RISK OF ENTRAPMENT HAZARDS:**

- A minimum of two functioning suction outlets per pump must be installed. Suction outlets in the same plane (i.e. floor or wall), must be installed a minimum of three feet (3') [1 meter] apart, as measured from near point to near point.
- Dual suction outlets shall be placed in such locations and distances to avoid “dual blockage” by a user.
- Dual suction outlets shall not be located on seating areas or on the backrest for such seating areas.
- The pool or spa circulation system shall be designed to comply with ANSI/APSP-7 2006.
- Suction outlet covers shall conform to ANSI/ASME A112.19.8
- Never use Pool or Spa if any suction outlet component (cover/grate) is damaged, broken, cracked, missing, or not securely attached.
- Immediately replace damaged, broken, cracked, missing, or not securely attached suction outlet components.
- The CPSP as well as the ICC *International Residential Code* Part IX, Appendix G, Section AG106 specifies the installation of a safety vacuum release system conforming to ASME A112.19.17, or an approved gravity drain system.
- Failure to remove pressure test plugs and/or plugs used in winterization of the pool/spa from the suction outlets can result in an increased potential for suction entrapment.
- Failure to keep suction outlet components clear of debris, such as leaves, dirt, hair, paper and other material can result in an increased potential for suction entrapment.

Suction outlet covers and grates have a finite life. They should be inspected frequently and replaced within specified life.

SAVE THESE INSTRUCTIONS

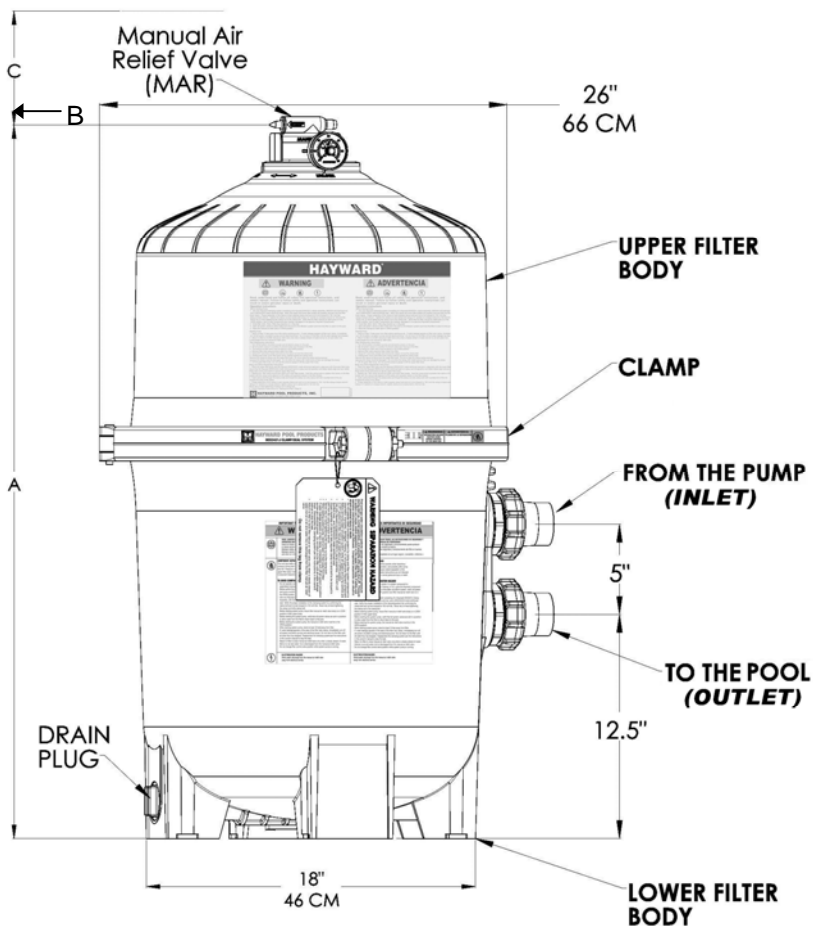
USE ONLY HAYWARD GENUINE REPLACEMENT PARTS

GENERAL INFORMATION

Your **Hayward SwimClear™** cartridge filter combines superior water filtration with ease of operation and totally corrosion-resistant construction. With filtration ratings to 9000 gallons (34,000 liters) per hour, they are designed for continuous or intermittent operation, for installation above or below the pool water line, for fresh or salt water swimming pools or spas. SwimClear™ filters utilize multiple reusable, reinforced polyester filter cartridge elements to provide a high degree of water clarity and long filter cycles with minimum care.


	A		REQUIRED CLEARANCE			
			"B" SIDE		"C" ABOVE	
	IN	CM	IN	CM	IN	CM
C2030	32.5	83	18	46	15	38
C3030	34.5	88	18	46	16	41
C4030	40.5	103	18	46	18	46
C5030	46.5	118	18	46	22	56
C7030	52.5	133	18	46	28	71

INSTALLATION



WARNING



 This product should be installed and serviced only by a qualified pool professional.

1. The filter system should be installed on a level concrete slab or other rigid base. Select a well drained and vented area, one that does not flood when it rains. Position the filter so that the piping connections, and winter drain are convenient and accessible for operation, service, maintenance and winterizing.
2. Position filter body such that all operation and safety labels are visible.
3. Position filter so the filter will drain by gravity.
4. If practical, place pump and filter in the shade to shield it from continuous, direct heat from the sun.
5. Connect the pool suction plumbing between the skimmer, pool suction outlet (from the pool) and the pump.
6. Connect the pump discharge (pump OUTLET) to the top port of the filter (filter INLET).
7. Connect the bottom filter port (filter OUTLET) to the pool return plumbing lines.
8. Do not locate pump controls over or near filter.
9. Verify water discharge from the manual air relief valve(MAR) is directed away from electrical devices.

USE ONLY HAYWARD GENUINE REPLACEMENT PARTS

STARTING THE PUMP and FILTER SYSTEM

⚠️ WARNING

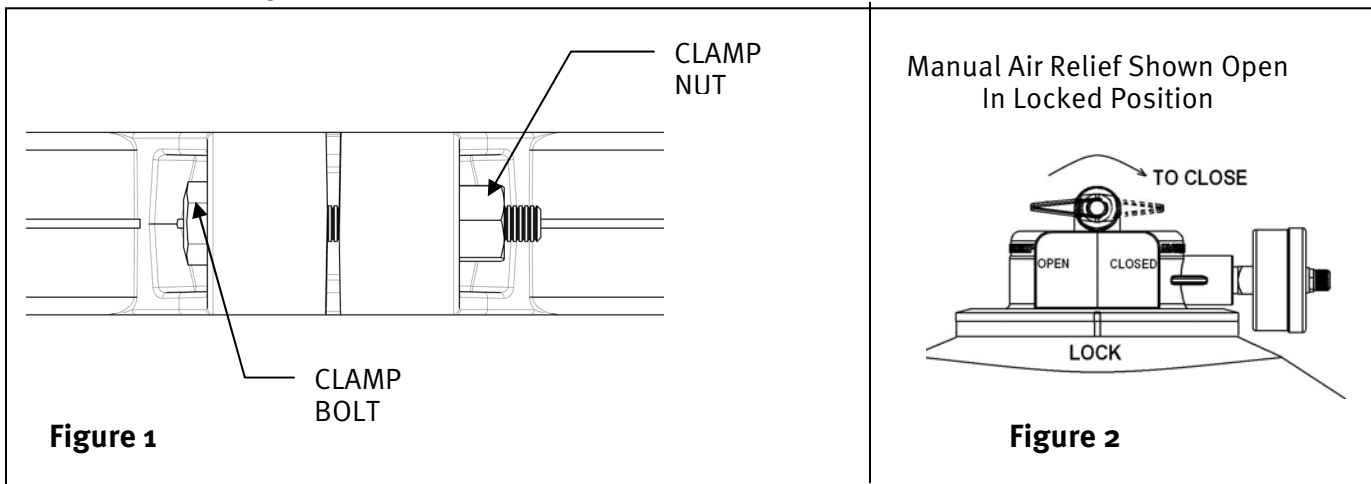


Before Starting the Pump

1. Use ONLY Hayward clamp system components; DEX2421JKIT clamp system, DEX2421J2 nut/bolt assembly, DEX2422Z2 metal reinforced seal. Non-Hayward clamp components may fail in use and cause explosive component separation. Verify that upper and lower filter bodies are properly secured with the filter body clamp. Never rely on hand tightening the clamp nut to the clamp bolt. Using a $\frac{3}{4}$ " socket on a torque wrench, torque clamp nut to clamp bolt to 150 inch-lbs. (See Fig 1) Verify that the filter manual air relief body is in the LOCK position, and no filter components are missing, damaged or not genuine Hayward components. (See Fig 2)
2. Close filter drain. NOTE: Filter plug requires an o-ring seal. (See Fig 4)
3. Open all system valves to allow water from the pool to the filtration system and from the filter to return to the pool.
4. Place the manual air relief valve in OPEN position. (See Fig 2)

Starting Pump

1. When starting system pump, do not stand over or near filter. If water leakage appears at filter tank clamp, immediately turn off all system circulation pumps and all electrical power. Do not return to the filter until all water leakage has stopped.
Reassemble the clamp system per the instructions on page 7 in this owner's manual to stop leak.
2. Return to filter to CLOSE manual air relief valve only when a steady stream of water (not air or, air and water mix) is discharged from the manual air relief valve.



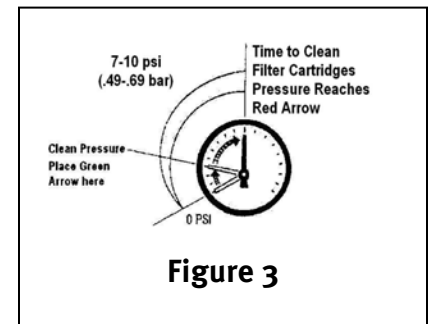
OPERATION

⚠️ WARNING



FILTERING

Filtration starts as soon as flow is steady through the filter. As the filter removes dirt from the pool water, the accumulated dirt causes a resistance to flow. As a result, the gauge pressure will rise and the flow will decrease. When the pressure rises between 7 and 10 psi (.49 - .69 bar) above the starting pressure, or when the flow decreases below the desired rate, clean or replace the filter cartridge elements. Once your filter is running and there is a pressure reading, line up the green arrow with the current reading. (See Fig 3) When the pressure rises to or above the red or second arrow, it is time to clean or replace your filter cartridge elements.



USE ONLY HAYWARD GENUINE REPLACEMENT PARTS

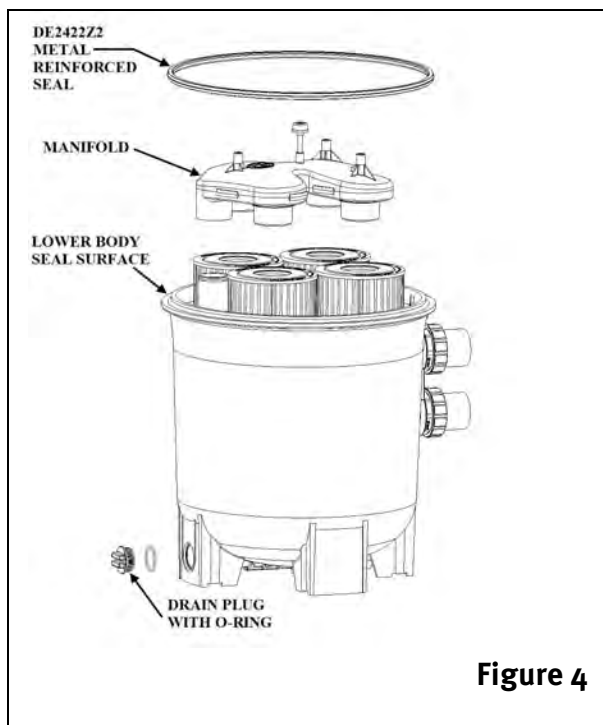


Figure 4

By recording the initial starting pressure (with clean filter elements) a determination can be made when the filter cartridge elements should be replaced rather than cleaned. After the filter elements have been cleaned and reinstalled if the starting pressure is higher than 6 PSI above the starting pressure with the new filter cartridge elements, the filter cartridge elements should be replaced the next time the gauge arrow reaches the red arrow.

MAINTAINING YOUR FILTER

⚠ WARNING 

⚠ This product should be installed and serviced only by a qualified pool professional.

FILTER DISASSEMBLY INSTRUCTIONS

1. Turn off all system circulation pumps and all electric power on the equipment pad.
2. Set all system valves in a position to prevent water flow to the filter.
3. The manual air relief valve must be placed in the OPEN

position. (Fig 6)

4. Remove filter drain plug (Fig 4) and drain water from filter.
5. Using 3/4" wrenches or hex sockets, loosen and remove the clamp nut and the clamp bolt. (Fig 5)
6. Holding both ends of the filter clamp carefully spread the clamp ends. Remove the clamp by lifting over the upper filter body. Do not drop the clamp during removal, because the clamp could be damaged. Do not strike the clamp with metal tools as they can damage the clamp.
7. Lift off upper filter body. Do not use the pressure gauge to lift the upper filter body.

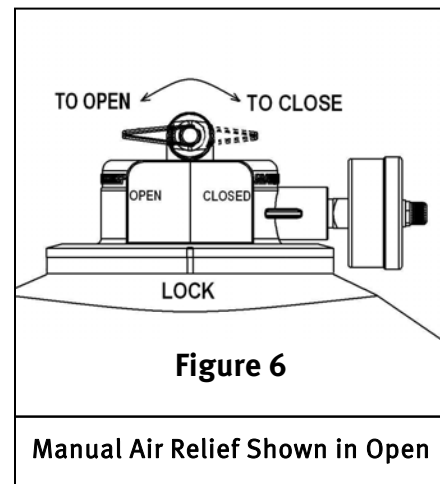


Figure 6

Manual Air Relief Shown in Open

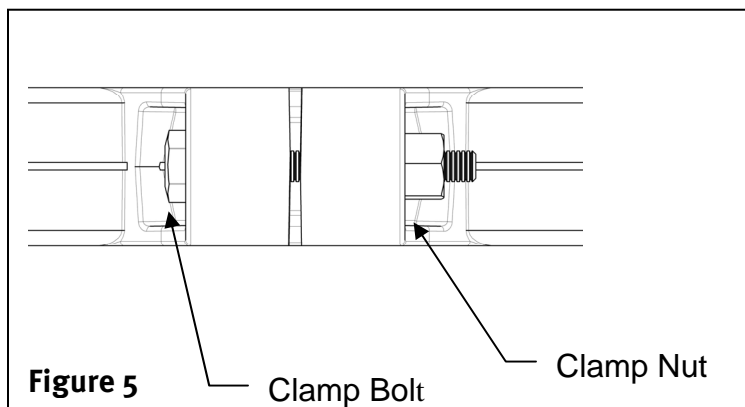


Figure 5

Clamp Bolt

Clamp Nut

REMOVING CARTRIDGES

1. Remove the top Manifold, which is exposed when the upper filter body is removed. (Fig 4)
2. Remove the filter cartridge elements by using slight rocking motion and lifting up.
3. Clean filter cartridge elements.

CLEANING CARTRIDGES

The Cartridge filter element can be cleaned by washing inside and outside with a garden hose. After hosing cartridge, for best results, carefully brush the pleated surface to remove fine particles. Do not pressure wash as it can damage the filter element.

You may find some debris on the cartridge pleats, which may not have been removed with hosing.

USE ONLY HAYWARD GENUINE REPLACEMENT PARTS

FILTER RE-ASSEMBLY INSTRUCTIONS

WARNING




RE-INSTALLING CARTRIDGES

1. Flush and drain any dirt or debris from the bottom of the lower filter body.
2. Flush any dirt or debris from the upper filter body and from around the manual air relief area.
3. Carefully replace the cartridges over the hubs on the bottom seal plate.
4. Place top manifold securely on top of cartridges, aligning the return pipe with the port in the manifold.


CLEAN SEAL RING AND SEAL SURFACE

1. Remove filter tank seal.
2. With a clean cloth, wipe the lower filter body seal surface and clean seal of all dirt and debris. (Fig 4) Do not use a solvent.
3. With a clean cloth wipe the upper filter body seal surface.

-  **Notice:**
- Do not use any petroleum solvents to clean filter components.
 - Do not lubricate DEX2422Z2 seal.

WARNING



-  This product should be installed and serviced only by a qualified pool professional.

BODY AND CLAMP RE-ASSEMBLY

1. Place the metal reinforced seal on lower filter body. (Fig 4) Place upper filter body on metal reinforced seal and lower filter body in a position which allows all operation and safety labels to be clearly visible and the upper filter body to be centered on the lower filter body. Press down firmly and evenly on the upper filter body to seat the seal. (Fig 7)
2. Replace the filter clamp around the upper and lower filter bodies. Hold the clamp ends to position the clamp on the filter bodies with the clamp ends adjacent to the safety and operation labels on the filter bodies. (Fig 7)
3. Insert clamp bolt through the clamp ends and thread the clamp nut onto clamp bolt with rounded end of the nut (Fig 8) towards the ends of the clamp.
4. Never rely on hand tightening of clamp nut to clamp bolt. Using a 3/4" socket on a torque wrench, torque clamp nut to clamp bolt to 150 inch-lbs. (Fig 9)

DO NOT HIT OR STRIKE CLAMP WITH HAMMER OR METAL TOOLS.

5. Follow Operation Instructions for "Starting the Pump and Filter System" (Page 5).

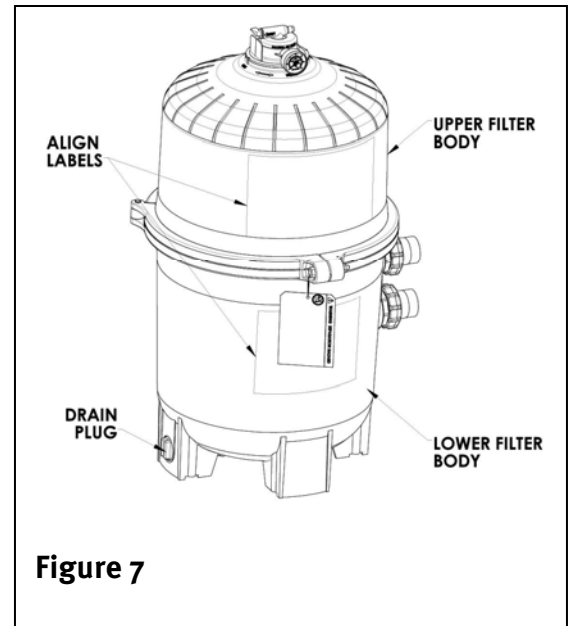


Figure 7

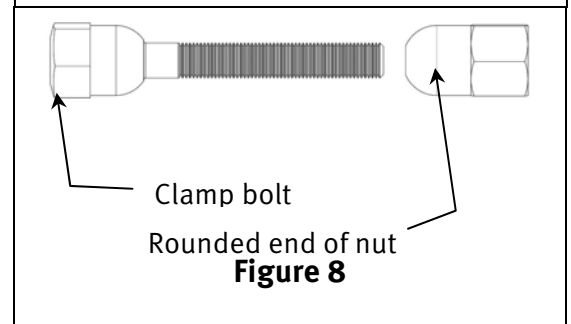


Figure 8

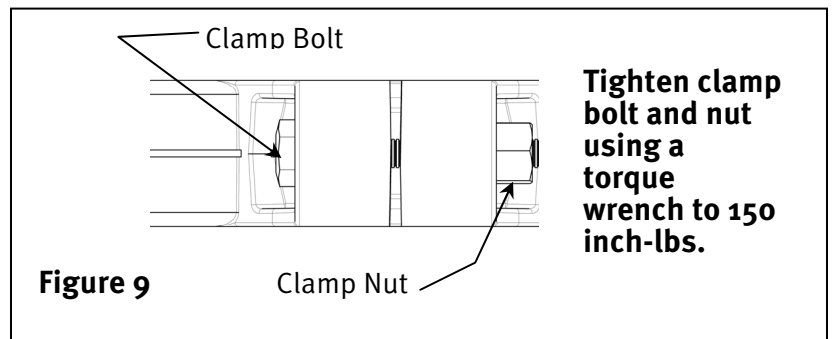


Figure 9

Tighten clamp bolt and nut using a torque wrench to 150 inch-lbs.


VACUUMING POOL

Vacuuming can be performed directly into the filter whenever needed. Clean cartridges after vacuuming, if required.

REMOVING THE MANUAL AIR RELIEF VALVE

WARNING



 This product should be installed and serviced only by a qualified pool professional.

Your Filter comes with a Manual Air Relief Valve (MAR) pre-installed from the factory.

For Qualified pool professionals only: If MAR valve needs to be serviced, follow these instructions carefully.

1. Turn off all system circulation pumps and all electric power on the equipment pad.
2. Set all system valves in a position to prevent water from flowing to the filter.
3. The manual air relief valve must be placed in the OPEN position.
4. Wait until all water leakage has stopped.
5. Grasp the MAR body at the flats, turn the MAR counterclockwise until the indicator on the on the MAR flange is aligned with the “UNLOCK” position on the upper filter body.
6. Pull straight up to remove the MAR, a slight rocking motion may help.

 This product should be installed and serviced only by a qualified pool professional.

RE-INSTALLATION OF THE MANUAL AIR RELIEF VALVE

1. Check the o-ring seals, replace as needed.
2. With a clean cloth, wipe upper filter body and o-ring groove. Remove all dirt and debris.
3. Align the notch in the MAR Flange with notch on top of the upper filter body.
4. Press the MAR straight down into the upper filter body.
5. Turn the MAR clockwise until the indicator is aligned with the “LOCK” position on the upper filter body.
6. Verify the MAR discharge points away from all electrical connections.

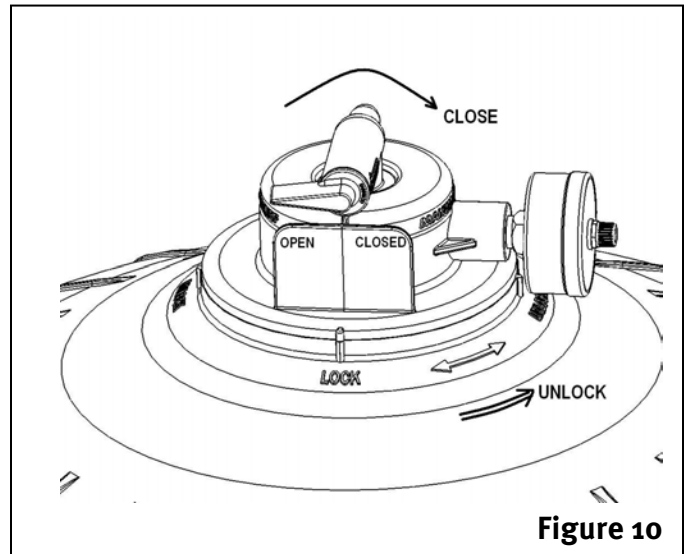


Figure 10


**Manual Air relief Shown Open
In Locked Position
Rotate counterclockwise to UNLOCK**

WINTERIZING FILTER

WARNING



 This product should be installed and serviced only by a qualified pool professional.

 In areas where subfreezing temperatures can be expected, the filter should be drained to protect the filter from damage.

1. The filter should be disassembled and the filter cartridges elements cleaned or replaced.
2. Follow directions under FILTER DISASSEMBLY INSTRUCTIONS
3. Then follow REMOVING CARTRIDGES per instructions
4. Reassemble per FILTER RE-ASSEMBLY INSTRUCTIONS.
5. Be sure to leave the drain plug unattached during the winter season to avoid cracking the filter body.

USE ONLY HAYWARD GENUINE REPLACEMENT PARTS

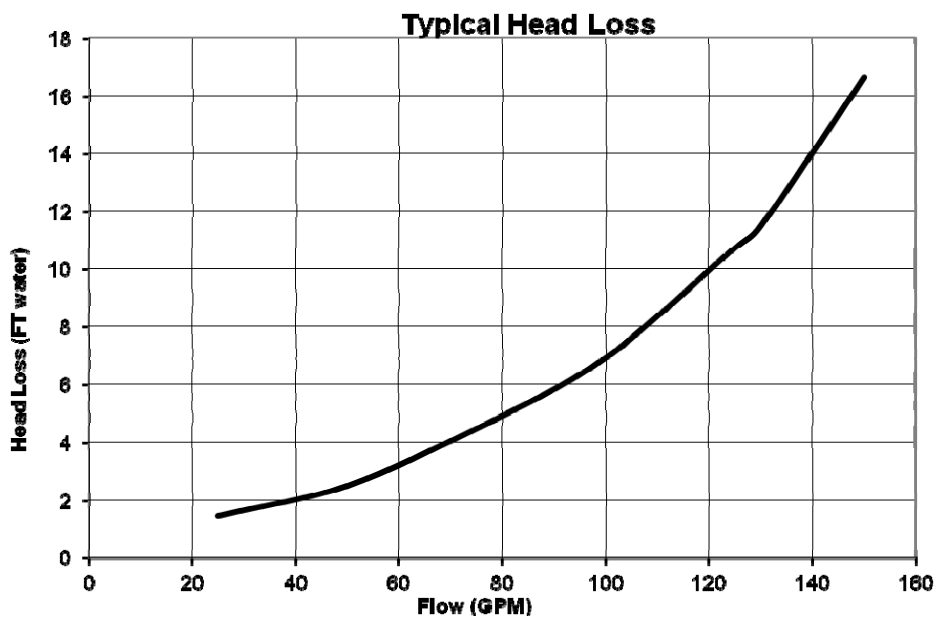
SERVICE AND REPAIRS

Consult your local authorized Hayward dealer or service center. No returns may be made directly to the factory without the expressed written authorization of Hayward Pool Products.

SUGGESTED POOL CHEMISTRY LEVELS	
pH	7.2 to 7.8
TOTAL ALKALINITY	80 to 120 ppm
CALCIUM HARDNESS	200 to 400 ppm
COMBINED CHLORINE	.2 ppm Maximum
CHLORINE (STABILIZED)	1.0 to 3.0 ppm
CHLORINE STABILIZER (Cyanuric Acid)	60 to 80 ppm

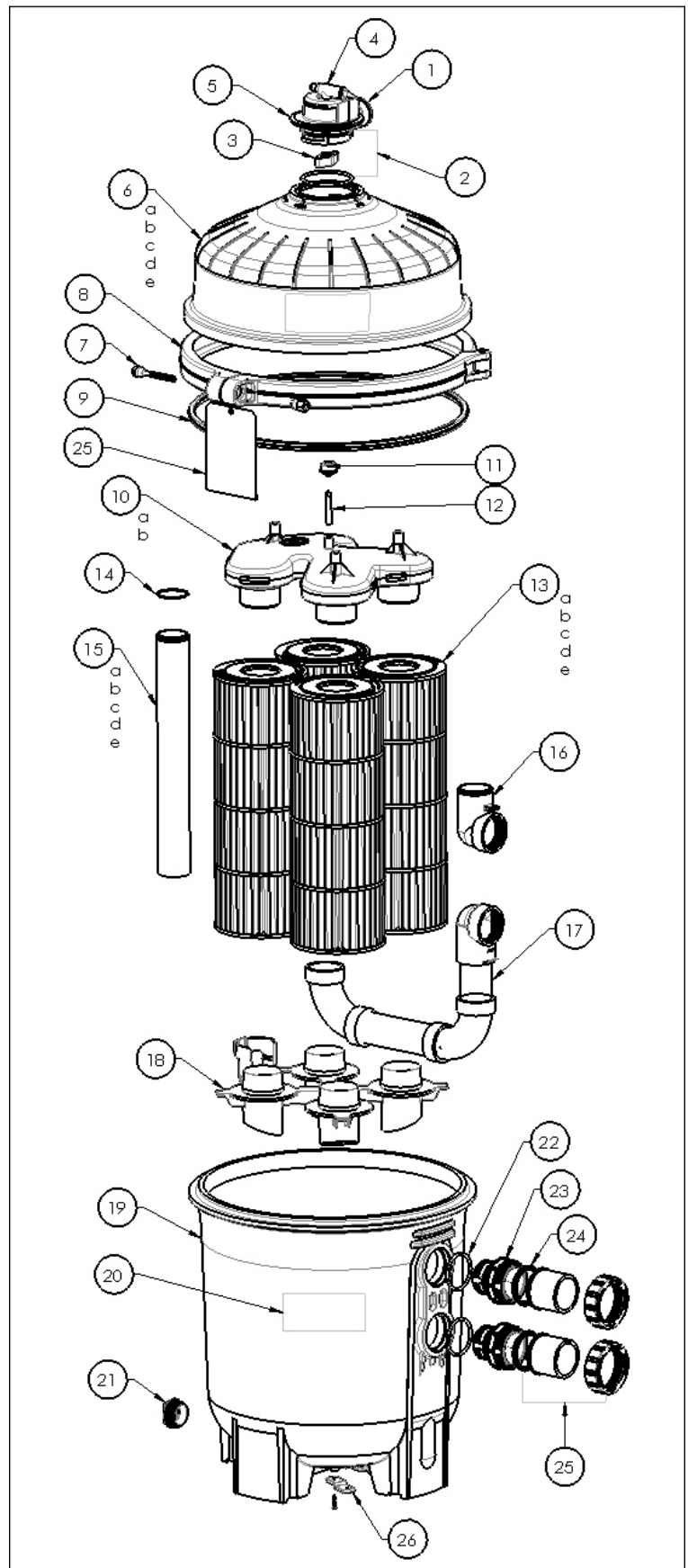
PROBLEM SOLVING LIST

REMEDY	LOW WATER FLOW	SHORT FILTER CYCLES	POOL WATER WON'T CLEAR UP
	<ol style="list-style-type: none"> 1. Check skimmer and pump strainer baskets for debris. 2. Check for restrictions in intake and discharge lines. 3. Check for air leak in intake line (indicated by bubbles returning to pool). 	<ol style="list-style-type: none"> 1. Check for algae in pool and super-chlorinate as required. 2. Be sure chlorine and pH levels are in proper range (adjust as required). 	<ol style="list-style-type: none"> 1. Check chlorine, pH and total alkalinity levels and adjust as required. 2. Be sure flow rate through filter is sufficient. 3. Operate filter for longer periods.



USE ONLY HAYWARD GENUINE REPLACEMENT PARTS

Item	Part No.	Description
1	ECX2712B1	Pressure Gauge
2	DEX2420Z8A	O-Ring Kit (Set of 2)
3	CCX1000N	Air Relief Valve Nut
4	CCX1000V	Manual Air Relief w/O-Ring
5	DEX2420MAR2	Manual Air Relief Assembly
6a	DEX2420BTC	Upper Filter Body C2030
6b	DEX3620BTC	Upper Filter Body C3030
6c	DEX4820BTC	Upper Filter Body C4030
6d	DEX6020BTC	Upper Filter Body C5030
6e	DEX7220BTC	Upper Filter Body C7030
7	DEX2421J2	Clamp Bolt & Nut
8	DEX2421JKIT	Clamp System including: Clamp, Clamp Nut and Bolt, Hang tag, Metal Reinforced Seal, and Labels
9	DEX2422Z2	Metal Reinforced Seal
10a	CX3030C	Top Manifold for C2030, C3030 and C4030
10b	CX5030C	Top Manifold for C5030, and C7030
11	CX3000J1	Air Relief Filter
12	CX2030Z3	Air Relief Tube
13a	CX481XRE	Cartridge Element C2030 1 of 4 Required
	CX481XREPAK4	Cartridge 4 pack C2030
13b	CX580XRE	Cartridge Element C3030 1 of 4 Required
	CX580XREPAK4	Cartridge 4 Pack C3030
13c	CX880XRE	Cartridge Element C4030 1 of 4 Required
	CX880XREPAK4	Cartridge 4 Pack C4030
13d	CX1280XRE	Cartridge Element C5030 1 of 4 Required
	CX1280XREPAK4	Cartridge 4 Pack C5030
13e	CX591XRE	Cartridge Element C7030 1 of 8 Required
	CX591XREPAK4	Cartridge 4 Pack C7030 1 of 2 Required
	CX7020M	Mid plate Connector C7000 series only
14	DEX2400Z5	O-Ring
15a	CX3031F6	Outlet Pipe C2030
15b	CX3031F7	Outlet Pipe C3030
15c	CX3031F8	Outlet Pipe C4030
15d	CX3031F9	Outlet Pipe C5030
15e	CX3031F10	Outlet Pipe C7030
16	CX3030F	Inlet Elbow
17	CX3030H	Assy, SwimClear Piping
18	CX3030D	Bottom Seal Plate
19	DEX2420ATC	Lower Filter Body
20	DEX2420LA6PAK	Label Pack: Includes all Warning and Operation Label's Hang Tag, Wire Tie and Owner's Manual
21	SP1022CBK	1 1/2" Drain Plug w/O-Ring
22	SX220Z2	O-ring
23	CX3035F	Bulkhead Fitting
24	SPX3200UG	Union Gasket (T-seal)
25	SPX3200UNKIT	Union Connection Kit (includes Nut, Connector, Gasket)
26	DEX2420DCKIT	Strap kit (Optional)



USE ONLY HAYWARD GENUINE REPLACEMENT PARTS



HAYWARD® LIMITED WARRANTY

To Buyer, as original purchaser of this equipment, Hayward Pool Products, 620 Division Street, Elizabeth, New Jersey, warrants its products free from defects in materials and workmanship for a period of **ONE (1)** year from the date of purchase.

Parts which fail or become defective during the warranty period, except as a result of freezing, negligence, improper installation, use, or care, shall be repaired or replaced, at our option, without charge, within 90 days of the receipt of defective product, barring unforeseen delays.

To obtain warranty replacements or repair, defective components or parts should be returned, transportation paid, to the place of purchase, or to the nearest authorized Hayward service center. For further Hayward dealer or service center information, contact Hayward customer service department. No returns may be made directly to the factory without the express written authorization of Hayward Pool Products.

All other conditions and terms of the standard warranty apply.

Hayward shall not be responsible for cartage, removal and/or reinstallation labor or any other such costs incurred in obtaining warranty replacements.

The Hayward Pool Products warranty does not apply to components manufactured by others. For such products, the warranty established by the respective manufacturer will apply.

Some states do not allow a limitation on how long an implied warranty lasts, or the exclusion or limitation of incidental or consequential damages, so the above limitation or exclusion may not apply to you.

This warranty gives you specific legal rights, and you may also have other rights, which vary from state to state.

***Supersedes all previous publications.**

**Hayward Pool Products
620 Division Street
Elizabeth, NJ 07207**

USE ONLY HAYWARD GENUINE REPLACEMENT PARTS

▲ Retain this Warranty Certificate in a safe and convenient location for your records

PRODUCT REGISTRATION (Retain For Your Records)	
DATE OF INSTALLATION _____	
INITIAL PRESSURE GAUGE READING (CLEAN FILTER) _____	
PUMP MODEL _____ HORSEPOWER _____	
FILTER MODEL _____ SERIAL NUMBER _____	

DETACH HERE: Fill out bottom portion completely and mail within 10 days of purchase/installation or register online.



SwimClear™

Register online at www.haywardnet.com

Warranty Card Registration

Please Print Clearly:

First Name _____ Last Name: _____

Street Address _____

City _____ State _____ Zip _____

Phone Number: _____ Purchase Date: _____

E-mail Address _____

Serial Number

--	--	--	--	--	--	--	--	--	--	--	--	--	--	--	--

(10-17 digit number)

Model Number: _____

Pool Capacity _____ (U.S. Gallons)

Years Pool has been in service
1 year or less 2-3 4-5 6-10 11-15 >16

Purchased from _____
Builder Retailer Pool Service Internet/Catalog

Company Name _____

Address _____

City _____ State _____ Zip _____

Phone _____

Type of Pool:
Concrete/Gunite Vinyl Fiberglass Other _____

New Installation Replacement

Installation for:
In ground Above Ground Spa

Please include me on all e-mail communications regarding Hayward Equipment or promotions.

Mail to: Hayward Pool Products, 620 Division Street, Elizabeth, NJ 07207

Attn: Warranty Dept

or REGISTER YOUR WARRANTY ON-LINE AT WWW.HAYWARDNET.COM



Hayward is a registered trademark and SwimClear is a trademark of Hayward Industries, Inc.